

# PRODUCT INFORMATION PACKET

Model No: 056C17G5317

Catalog No: G657

0.75 HP Explosion Proof Motor, 1 phase, 1800 RPM, 115/208-230 V, 56 Frame, EPFC  
Explosion Proof NEMA Motors



### Nameplate Specifications

Output HP	0.75 Hp	Output KW	0.56 kW
Frequency	60 Hz	Voltage	115/208-230 V
Current	11.0/5.4-5.5 A	Speed	1725 rpm
Service Factor	1	Phase	1
Efficiency	70 %	Power Factor	66.2
Duty	Continuous	Insulation Class	B
Design Code	NO DESIGN CODE	KVA Code	L
Frame	56	Enclosure	Explosion Proof Fan cooled
Thermal Protection	Automatic	Ambient Temperature	40 °C
Drive End Bearing Size	6203	Opp Drive End Bearing Size	6203
UL	UL Listed And CSA Certified	CSA	Y
CE	N	IP Code	54
Hazardous Location	EXP PROOF CL I GR C&D CL II GR F&G T3B		

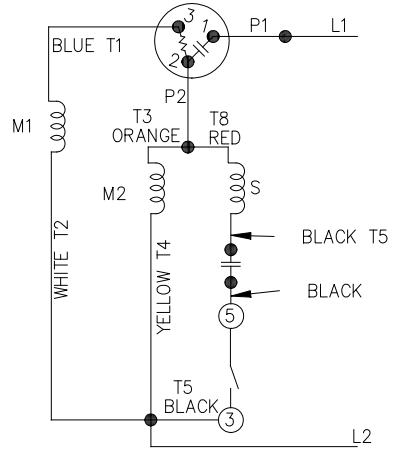
### Technical Specifications

Electrical Type	Capacitor Start Induction Run	Starting Method	Across The Line
Poles	4	Rotation	Selective Counterclockwise
Resistance Main	0 Ohms	Mounting	Rigid base
Motor Orientation	Horizontal	Drive End Bearing	Ball
Opp Drive End Bearing	Ball	Frame Material	Rolled Steel
Shaft Type	NEMA 56	Overall Length	14.44 in
Frame Length	7.31 in	Shaft Diameter	0.625 in
Shaft Extension	2 in	Assembly/Box Mounting	F1 ONLY
Connection Drawing	102005-84	Outline Drawing	B-104189-731

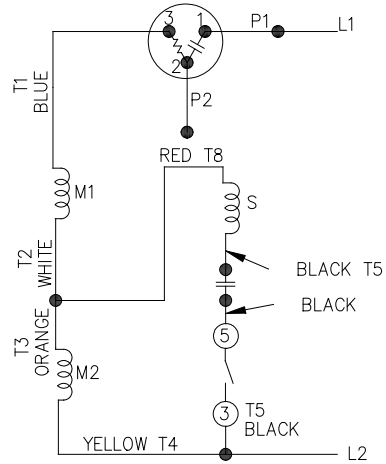


102005-84

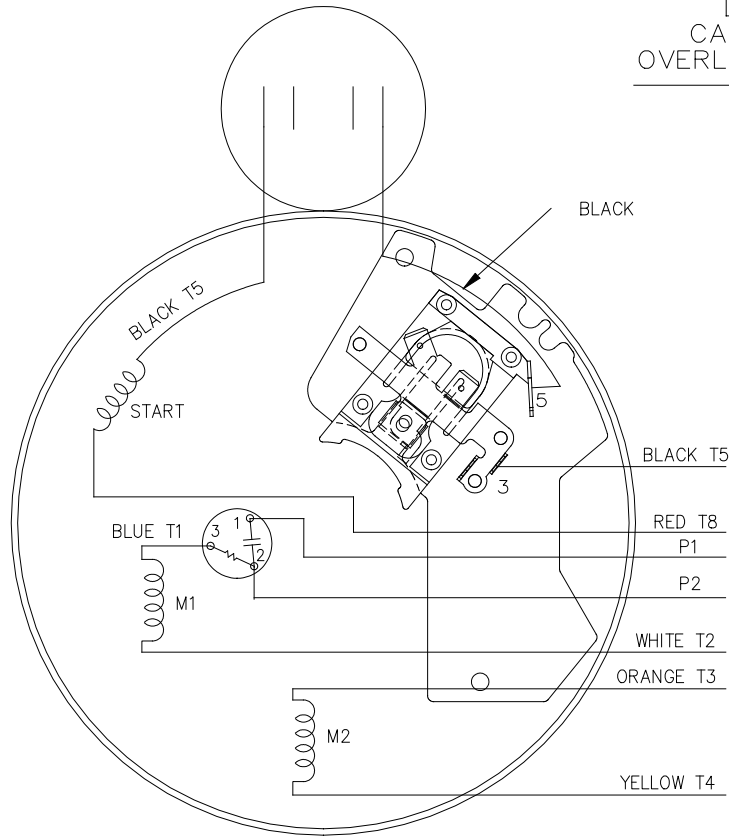
LOW VOLTAGE - C.C.W.



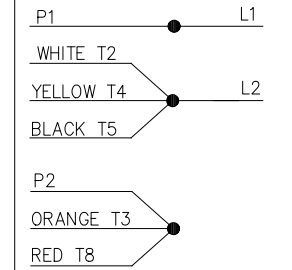
HIGH VOLTAGE - C.C.W.



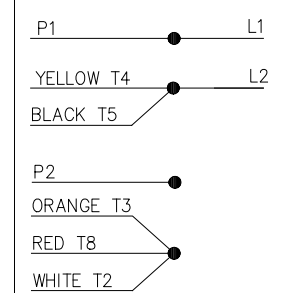
DUAL VOLTAGE  
CAPACITOR START  
OVERLOAD SELECT ROT.



LOW VOLT. - C.C.W. ROT.



HIGH VOLT. - C.C.W. ROT.



FOR C.W. ROTATION  
EITHER VOLTAGE  
INTERCHANGE RED(T8)  
WITH BLACK(T5) LEAD

NO.	REVISION	BY & DATE	CHK	ANG	TOLERANCES UNLESS SPECIFIED		REGAL™ Regal Beloit America, Inc.	DRAWN PGK 07-16-1996				
					DEC.	INCHES						
5	UPDATED TEMPLETE	MVG 12/11/2017	PVR	.X	±.1			CHK MRB 07-18-1996				
4	REV'D CONNECTION TO MATCH ROTATION ISAAC 07-2021	JJB 09/05/2007	ML	.XX	±.02		TITLE CONNECTION DIAGRAM	APPD GK 07-18-1996				
3	ADDED T NO.'S MU16064	MH 08-09-1997		.XXX	±.005			SCALE 5=8				
2	REDRAWN ON CADD, NO CHANGES	PGK 07-18-1996		.XXXX	±.0005		MAT'L.	REF				
				CHK	ANG	±7'30"	FINISH	PREV				
THIS DRAWING IN DESIGN AND DETAIL IS OUR PROPERTY AND MUST NOT BE USED EXCEPT IN CONNECTION WITH OUR WORK ALL RIGHTS OF DESIGN AND INVENTION ARE RESERVED THIS IS AN ELECTRONICALLY GENERATED DOCUMENT - DO NOT SCALE THIS PRINT							RFP	CAD FILE 102005_84	SIZE A	DRAWING NO. 102005-84	PAGE OF	REV. 5
							DIST WP					







**MARATHON ELECTRIC CORPORATION**  
TYPICAL PERFORMANCE CURVE for AC MOTOR

Customer

Curve at

230 Volts  
60 HZ  
0.75 HP

HP 0.75

PHASE 1

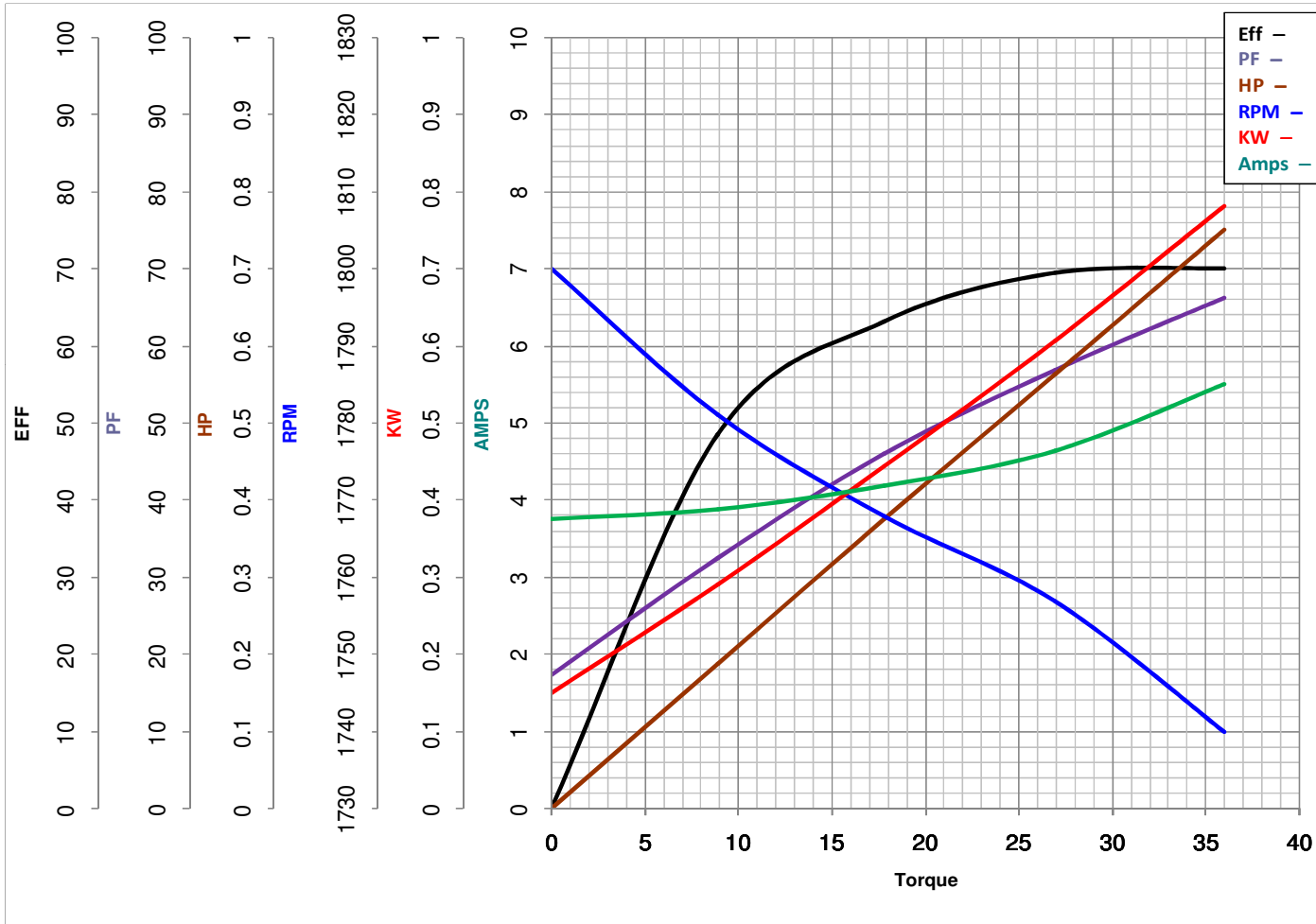
Model No 56C17G5317

VOLTS 115/208-230

Catalog No G657

HZ 60

RPM 1725



Torque in Oz.Ft

FL TORQUE 36 Oz.Ft  
BD TORQUE 97.9 Oz.Ft  
LR TORQUE 133 Oz.Ft

FL AMPS 11/5.4-5.5  
PU TORQUE 72.6 Oz.Ft  
LR AMPS 30.5

WINDING ZC4147-3

Date 1/10/2019